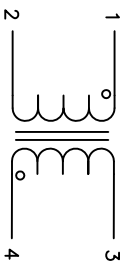


The information contained in this drawing is the sole property of CMS Coil Winding Specialist. Any reproduction in part or whole without written permission of CMS Coil Winding Specialist is prohibited.



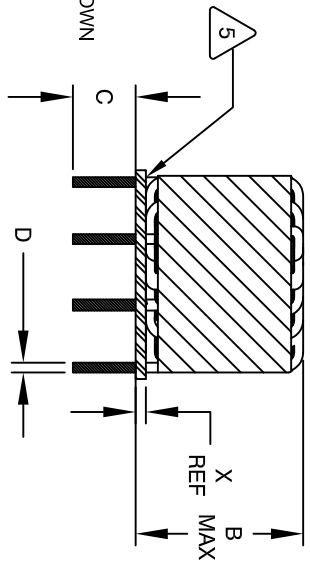
**SCHEMATIC**

DIMENSIONAL TOLERANCES INCHES [MM]							
A	B	C	D	X	Y1	Y2	Y3
MAX	MAX	MIN	TYP	REF	REF	REF	REF
2.91 [74.00]	2.64 [67.00]	0.75 [19.05]	0.10 [2.50]	0.07 [1.70]	0.86 [21.84]	0.36 [9.13]	0.36 [9.13]
							0.86 [21.84]

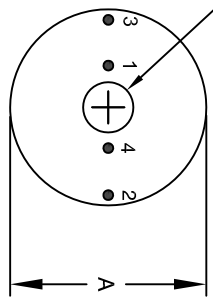
REVISION HISTORY		
REV	ECN	DESCRIPTION
A		PRODUCTION RELEASE

**DC BIAS TABLE**

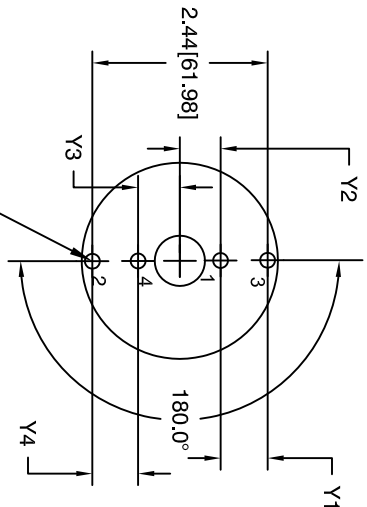
DC BIAS (AMP)	L@10KHZ (uH)	Pls: 1-2&3-4 (REF)
0	338uH	
10	331uH	
15	322uH	
20	312uH	
25	300uH	
30	285uH	
35	270uH	
40	251uH	



**FRONT VIEW**



**BOTTOM VIEW**



**MOUNTING HOLES PATTERN (TOP VIEW)**

- BUILT TO ROHS COMPLIANCE.
- IF APPLICABLE, LABEL PART NUMBER AND REVISION
- APPLY SILICONE TO BOND LEADS ONTO FR4 BASE AS SHOWN
- POSITION LEADS AS REQUIRED AND REMOVE WIRE INSULATION AND TIN AND WRAP COIL WITH GLASS TAPE
- WIND COILS EVENLY SPACED AROUND CORES CONSTRUCTION:
- WEIGHT: 1139 GRAMS TYP  
HI-POT WINDING- TO-CORE 1250 VAC, 10 SEC  
INTERWINDING CAPACITANCE = 100pF TYP @ SRF  
LEAKAGE INDUCTANCE = 8uH TYP @10KHZ, 250mV  
|Z| = 16KΩ TYP @ SRF  
DCR = 16.0mΩ MAX ON EACH WINDING  
SRF = 3.3MHz TYP  
MAX TEMP. RISE @ IDC 40 AMP, LESS THAN 45°C WITH SOME AIRFLOW  
DC BIASED: SEE TABLE ON THE RIGHT  
INDUCTANCE (PINS: 1 - 2) @ 0 AMP = 330uH±15%  
INDUCTANCE (PINS: 3 - 4) @ 0 AMP = 330uH±15%  
TEST FREQUENCY: 10 KHZ ; TEST VOLTAGE: 250mV  
RATED MAX. CURRENT = 40 AMPS RMS ; FREQUENCY: 10KHZ  
OPERATING TEMPERATURE RANGE : -40°C TO 155°C  
SPECIFICATIONS @ 25°C:
- WIRE: UL RATED CLASS 200°C
- CORE: COATED POWDERED CORE
- RATING UL CLASS K (200°C) REQUIRED
- MATERIAL: UL RECOGNIZED FLAMMABILITY

ANY TOLERANCE. THIS DIM. CAN VARY A LITTLE FROM PART TO PART.  
 "TYP" IN DIM. TABLE REFERS TO A NON-CRITICAL TYPICAL (AVERAGE) DIM. WITHOUT NOTES: UNLESS OTHERWISE SPECIFIED, READ NOTES FROM BOTTOM TO UP.  
 CAGE CODE: 5DMIE2

UNLESS OTHERWISE SPECIFIED	
DIMENSIONING AND TOLERANCE PER ANSI Y14.5M AND [MILLIMETERS].	
TOLERANCE INCHES:	±.0030
TOLERANCE METRCS:	±.0762
ANGLE PROJECTION	AS SHOWN

CODE IDENT	MFG. P/N	DESCRIPTION	ITEM NO.
<b>PARTS LIST</b>			
AUTOCAD	X		
SOLIDWORKS			
DRWN	TN	08/18/2020	
CHKD	JL	08/18/2020	
ENGR	JL	08/18/2020	
APPR	JL	08/18/2020	

COILS COM, INC		CWS Coil Winding Specialist.	
353 W Grove Ave		Orange, CA 92865	
TITLE: Coupled Inductor			
Toroidal Power Inductor			
SIZE	DMG. NO.	330uH, 40 Amps	
B	MCI467-331M-40AH		